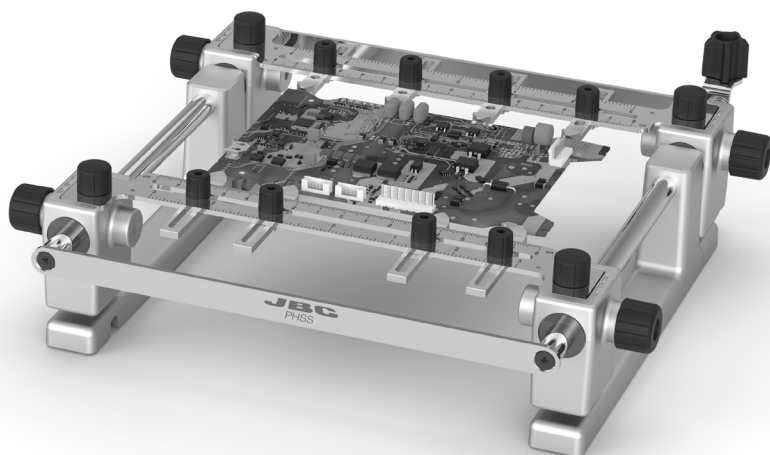


JBC

www.jbctools.com

INSTRUCTION MANUAL



PHSS

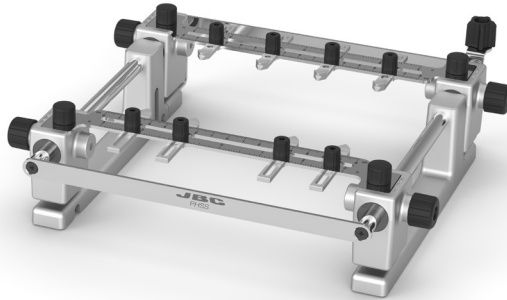
Support for PCBs
up to 13x13cm/5x5"

This manual corresponds to the following reference:

PHS-SA

Packing List

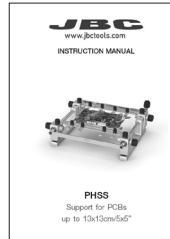
The following items are included:



PHSS Support 1 unit

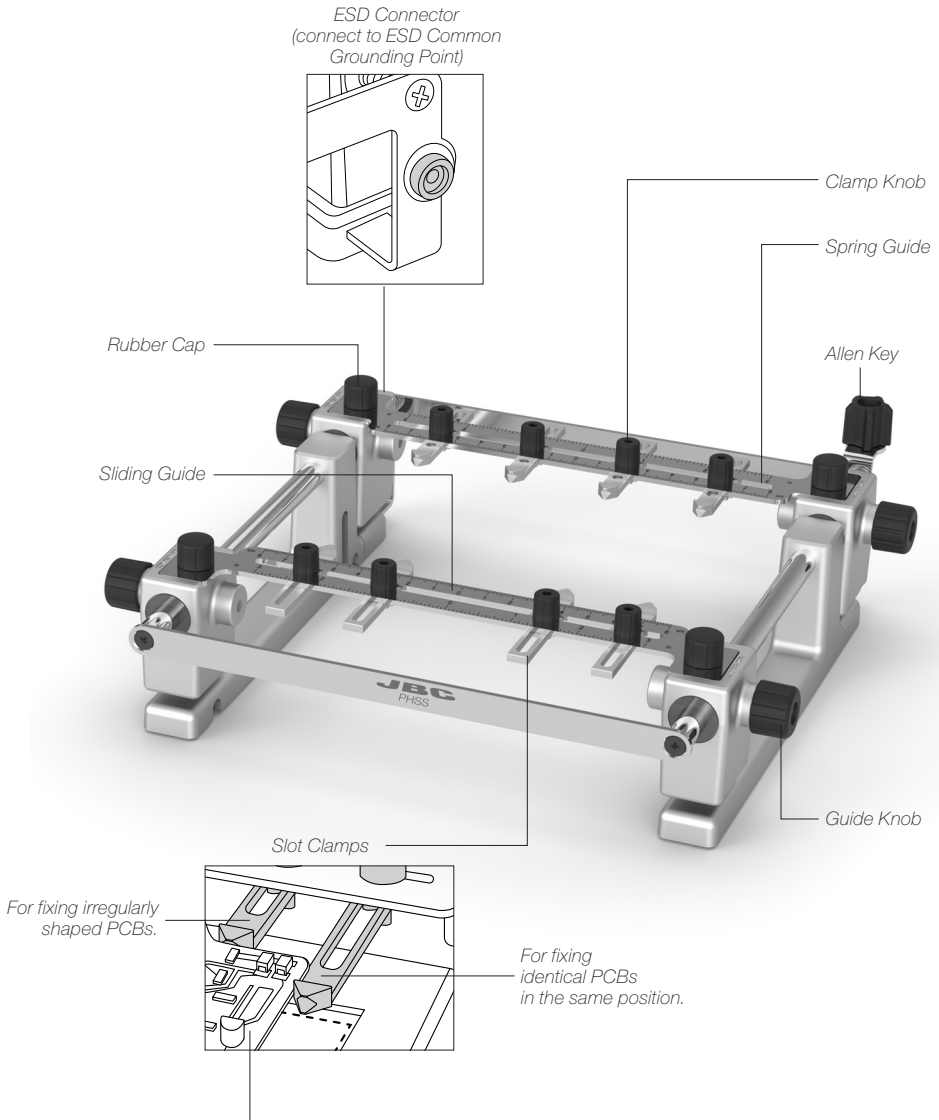


Allen key 1 unit
Ref. 0013754



Manual 1 unit
Ref. 0026994

Features and Connections



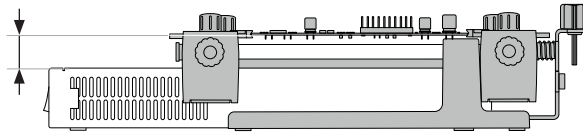
Max. PCB dimension (between clamps):
13x13 cm / 5x5 in, Thickness 6 mm / 0.236 in

Height Adjustment

The support allows adjustment for **3 heights** between the PCB and the Heating Area of the Preheater Unit.

Low level

22 mm /
0.87 in

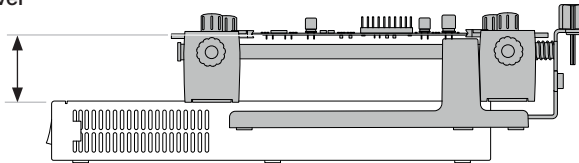


Unscrew these knobs to place the support in the lowest level



Medium level

45 mm /
1.77 in

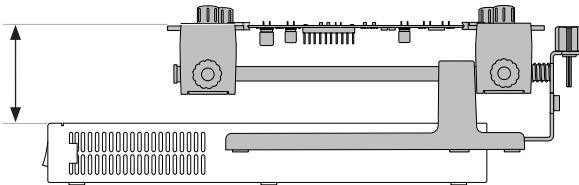


Use the fixing brackets to place the support in the medium and the high level

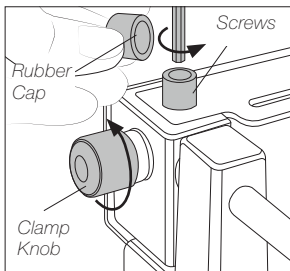


High level

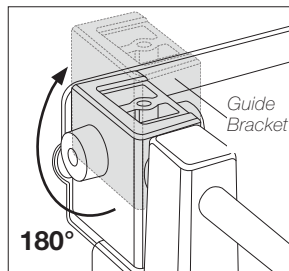
65 mm /
2.56 in



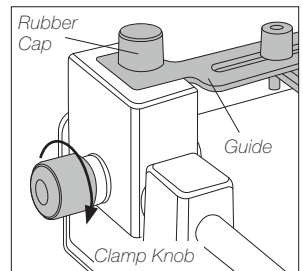
To change the height to the highest level, proceed as follows:



1. Remove the 4 clamp knobs and the 4 black rubber caps.



2. After removing both guides, turn 180° the guide supports.



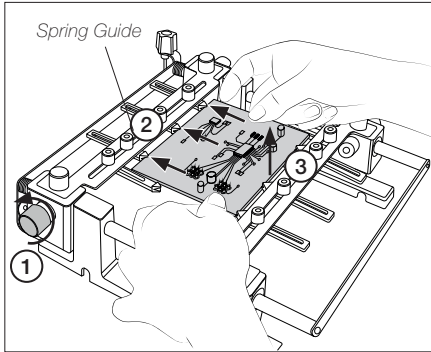
3. Place the guides and the rubber cups and adjust the sliding clamp knobs again.

Fast PCB Replacement

Move the spring guide backward to change PCBs of the same batch fast and easily.

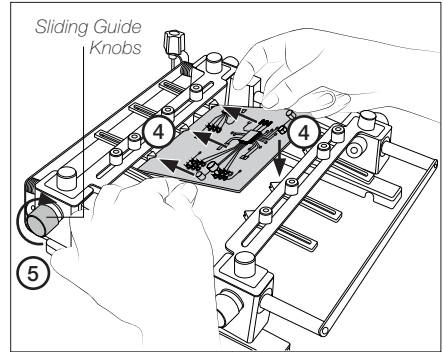
Removing the PCB

Loosen the spring guide (1), push the PCB against the spring guide (2) and lift it out (3).



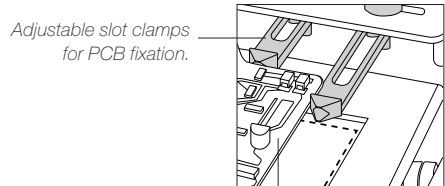
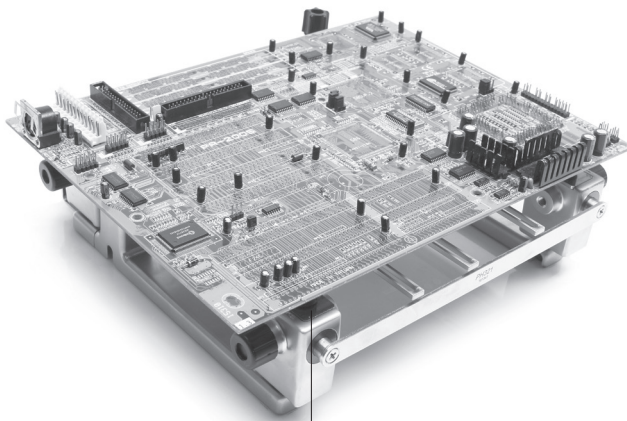
Placing another PCB

Position the new PCB (4) and tighten the spring guide knobs (5).



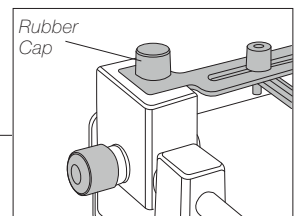
Reworking large PCBs

PCBs larger than the support can be placed onto the 4 rubber caps



Adjustable slot clamps
for PCB fixation.

Max. PCB dimension
between clamps:
13x13 cm / 5x5 in,
thickness 6 mm / 0.236 in.

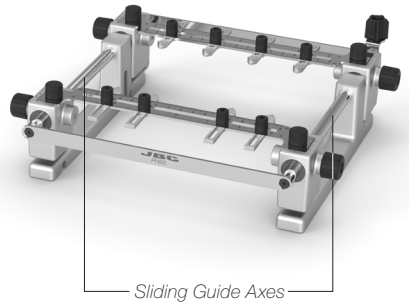


Rubber
Cap

Maintenance

Before carrying out maintenance or storage, always allow the support to cool down.

- Check periodically that the Support is clean, especially the axes of the sliding guide.
- Use a damp cloth when cleaning. Alcohol can only be used to clean the metal parts
- Replace any defective or damaged piece. Use original JBC spare parts only.
- Repairs should only be performed by a JBC authorized technical service.



Safety



It is imperative to follow safety guidelines to prevent electric shock, injury, fire or explosion.

- When using the support with a preheater unit, the temperature of accessible surfaces may remain high after the unit is turned off. Handle with care.
- Be careful with the remains of liquid tin. In contact with the skin, it can cause burns.
- Avoid flux coming into contact with skin or eyes to prevent irritation.
- Be careful with the smoke produced when soldering.
- Keep your workplace clean and tidy. Wear appropriate protection glasses and gloves when working to avoid personal harm.
- This appliance can be used by children over the age of eight as well as persons with reduced physical, sensory or mental capabilities or lacking experience provided that they have been given adequate supervision or instruction concerning the use of the appliance and understand the hazards involved. Children must not play with the appliance.
- Maintenance must not be carried out by children unless supervised.

Specifications

PHSS

Support for PCBs up to 13x13cm / 5x5"

Ref. PHS-SA

- | | |
|--|--|
| - Support Dimensions (Low Position):
(L x W x H) | 267 x 259 x 75 mm
10.5 x 10.2 x 3 in |
| - Support Dimensions (High Position):
(L x W x H) | 267 x 259 x 96 mm
10.5 x 10.2 x 3.8 in |
| - Max. PCB Dimensions (Between Clamps): | 13 x 13 cm / 5 x 5 in
Thickness 6 mm / 0.236 in |
| - Total Net Weight: | 2 kg / 4.4 lb |
| - Total Package Dimensions / Weight:
(L x W x H) | 368 x 368 x 125 mm / 2.7 kg
14.49 x 14.49 x 4.92 in / 5.95 lb |

Complies with CE standards.
ESD safe.

JBC

Warranty

JBC's 2 year warranty covers this equipment against all manufacturing defects, including the replacement of defective parts and labour.

Warranty does not cover product wear or misuse.

In order for the warranty to be valid, equipment must be returned, postage paid, to the dealer where it was purchased.



This product should not be thrown in the garbage.

In accordance with the European directive 2012/19/EU, electronic equipment at the end of its life must be collected and returned to an authorized recycling facility.



www.jbctools.com